

HALO[®]
POWER STATION



OPERATING INSTRUCTIONS
PLEASE READ BEFORE OPERATING THIS EQUIPMENT

SAFETY PRECAUTIONS

DANGER-CAUTION Read and understand all safety information before using this product. Failure to follow these instructions may result in electrical shock, explosion, fire which may result in serious injuries, death or property damage.

- Read all instructions before using the product.
- Do not get your HALO POWER STATION wet or store in extreme temperature conditions.
- Do not disassemble or attempt to repair your HALO POWER STATION yourself.
- Use a cloth to clean the exterior of your HALO POWER STATION. Do not use liquid detergent or chemicals of any kind.
- When used correctly, lithium-ion rechargeable batteries provide a safe and dependable source of portable power. However, if they are misused or abused, this may result in leakage, burns, fire or explosion, causing personal injury or damage to other devices.
- Misusing or incorrectly connecting your HALO POWER STATION may cause electric shock to users and damage equipment.
- Keep your HALO POWER STATION dry and away from moisture and corrosive materials. The HALO POWER STATION should not be used near water or wet areas such as bathtubs, showers, bathrooms, sinks, swimming pools or basements.
- Do not expose your HALO POWER STATION to moisture, water, rain, or snow.
- Keep your HALO POWER STATION away from heat sources, including open flames, radiators, stoves, ovens, and any other devices that product heat.
- The lithium-ion rechargeable battery used in this charging device may present a risk of fire or chemical burn if mistreated. Do not expose to fire or excessive temperature. Do not expose to heat above 212°F (100°C) or incinerate.
- Your HALO POWER STATION may become warm under extended high power operation. Do not cover, wrap, or otherwise restrict the HALO POWER STATION during operation.

- In the unlikely event of leakage or explosion use sand or a chemical fire extinguisher.
- Do not disassemble your HALO POWER STATION. There are no user-serviceable parts inside. Incorrect reassembly may result in shock or fire hazard.
- Do not drop or subject to strong impacts. Do not operate your HALO POWER STATION if it has received a sharp blow, or has otherwise been damaged in any way.
- Do not puncture, crush or subject to mechanical shock.
- Only charge your HALO POWER STATION by the specified method with the specified charging adapter provided with the unit.
- Do not use any non-HALO-branded accessories with the HALO POWER STATION. Doing so may cause electric shock to users and damage equipment.
- The HALO POWER STATION, along with its accessories, are not toys and should be kept away from children.
- Do not insert any foreign object into the ports or openings of your HALO POWER STATION.
- Do not clean your HALO POWER STATION with harsh chemicals, soaps or detergents. Just wipe the case with a soft cloth.
- Do not modify or attempt to repair the HALO POWER STATION except as indicated in the instructions for use and care.
- Make sure the HALO POWER STATION's charging ports do not become contaminated with lint or other debris.
- Batteries should be recycled or disposed of as per state and local guidelines.
- The device shall be stored indoors and protected from the elements;
- When in use, steps should be taken to prevent the exposure to rain, sleet, snow, and the like.
- For appliance and battery storage, do not exceed 104°F (40°C)
- Do not operate in explosive atmospheres such as in the presence of flammable liquids, gases or dust.

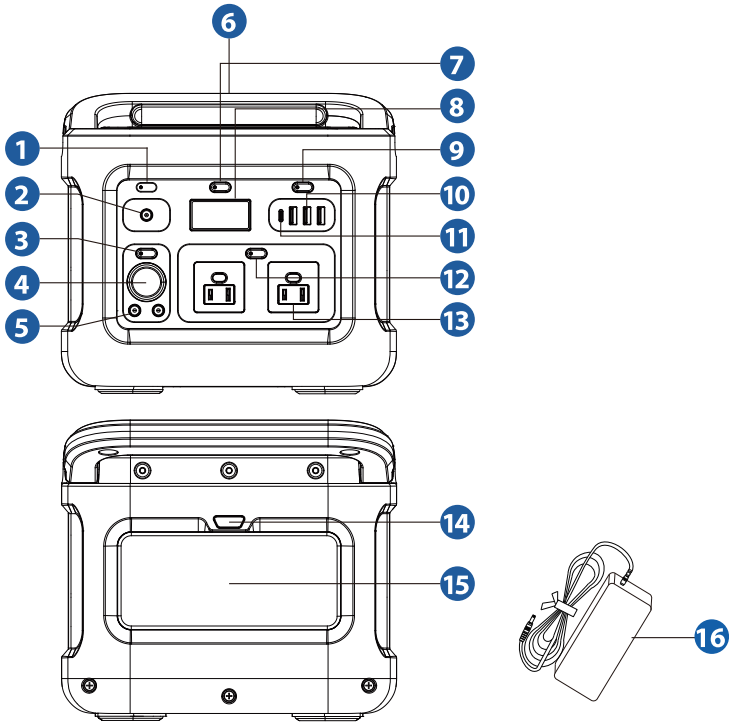
SAVE THESE INSTRUCTIONS

TABLE OF CONTENTS

Safety Precautions	2-3
Included Items	5
Operating Instructions	6-9
Troubleshooting Guide	9-10
Specifications	11-12
Warranty and Contact Information	13-14

INCLUDED ITEMS

- HALO POWER STATION
- Wall Charging Adapter



LOCATION OF CONTROLS

1. Input Power LED
2. DC Input
3. DC ON/OFF Button
4. 12V DC Power Socket
5. 12V DC 5525 Output Ports
6. Collapsible Handle
7. LCD Screen ON/OFF Button
8. LCD Screen
9. USB Output ON/OFF Button
10. USB-A Output Ports
11. USB-C PD Input/Output Port
12. AC Output ON/OFF Button
13. 110V AC Output Ports
14. Floodlight ON/OFF Button
15. Floodlight
16. Wall Charging Adapter

OPERATING INSTRUCTIONS

Please make sure to fully charge the HALO POWER STATION before first use.

CHARGING THE HALO POWER STATION

Using the Wall Charging Adapter:

Use the provided Wall Charging Adapter, and plug the adapter tip into the DC charge input. Next, connect the Wall Charging Adapter into a wall outlet. The HALO POWER STATION will automatically begin charging. When the HALO POWER STATION is fully charged, all four battery indicator lights will be solid green and the LCD digital display will indicate 100%. When fully charged, disconnect the cable.

NOTE:

- For optional or dual charging, The HALO POWER STATION can also be charged via the USB-C PD port with a USB-C charging adapter (not included).
- The HALO POWER STATION can also be charged via solar panel (not included) and car charger (not included).
- The HALO POWER STATION can be charged and discharged simultaneously.

BUTTON OPERATIONS

LCD Button:

To turn on/off the LCD display, simply press the LCD button. The LCD display will automatically turn off after 15 seconds if nothing is connected to the output ports.

DC ON/OFF Button:

To turn ON, press DC ON/OFF Button. The DC Indicator will light up and the LCD Screen will turn on. To turn OFF, press the DC ON/OFF Button.

AC ON/OFF Button:

To turn ON, press the AC ON/OFF Button. The AC Indicator will light up and the LCD Screen will turn on. To turn OFF, press the AC ON/OFF Button.

CONNECTING YOUR ELECTRONIC DEVICES, EQUIPMENT AND APPLIANCES

The HALO POWER STATION is compatible with AC and DC electronic devices, equipment and appliances where portable, stationary, or emergency power is required.



HOME



WORK



EMERGENCY



SCHOOL



TRAVEL



CAMPING



BUSINESS



OUTDOORS

There are several ways to power and charge electronic devices with the HALO POWER STATION. Both AC and DC Output Ports can be used simultaneously.

Using the 110V AC Output Ports:

The HALO POWER STATION can be used to power your 110V AC electronic devices, equipment and appliances rated for 400Watts or less. To begin, connect the AC power plug from your device/equipment/appliance into the AC Output Port of the HALO POWER STATION, then press the AC ON/OFF Button.

NOTE:

- Make sure the AC Power Plug is fully plugged into the AC Output Port.
- The HALO POWER STATION will provide up to 600Watts peak power for 5 seconds.

Using the USB Ports:

The HALO POWER STATION is compatible with the USB charging cable provided with your electronic device. To begin, press the DC ON/OFF Button, then plug the standard USB end of the cable into any of the 5V/2.4A USB Output Ports. Connect the tip into the input of your electronic device to begin charging. For PD (Power Delivery) Output, use a USB-C to USB-C cable (not included) to charge your compatible electronic devices.

HALO USB Smart Charge Technology

Your HALO POWER STATION contains the HALO USB SMART CHARGE TECHNOLOGY to achieve higher compatibility for charging USB electronic devices. The HALO USB SMART CHARGE TECHNOLOGY will allow the HALO POWER STATION to communicate with your electronic device and provide the fastest and safest charge for that device.

Using the 12V DC Power Socket and 5525 Output Ports

The HALO POWER STATION can be used to power your 12V DC electronic devices, equipment and appliances. To begin, press the DC ON/OFF Button, then connect your 12V compatible device/equipment/appliance into the Power Socket or 5525 Output Port(s).

USING YOUR HALO POWER STATION FLOODLIGHT

Press the Floodlight ON/OFF Button **once** to turn ON.

Press the Floodlight ON/OFF Button **twice** to turn 50% brightness.

Press the Floodlight ON/OFF Button **three times** to turn 100% brightness.

Press the Floodlight ON/OFF Button **four times** to turn OFF.

Double Click the Floodlight ON/OFF button to turn on SOS mode light.






Press the button again to turn off SOS mode light.

TROUBLESHOOTING

If the HALO POWER STATION cannot charge or power devices, please check the following steps:

- Make sure the Power ON/OFF Button is ON.
- Make sure the AC and DC Power Buttons are ON and confirm the LED buttons are green.
- Check the battery capacity. If it is lower than 3%, please recharge the HALO POWER STATION.
- Make sure the power consumption does not exceed the rated power of the port.
- If an error code is observed, refer to the Error Code Chart on the next page.
- Do not operate the HALO POWER STATION outside the allowable operating temperature. (0-40°C / 32-100°F)

Error Codes:

	Input Overvoltage Protection: The symbol will flash for 5 seconds when an input over voltage condition is detected.
	Output Overload Protection: The symbol will flash for 5 seconds when an AC output overload condition is detected.
	Low Power Alarm: The symbol will flash when the power station batter capacity is less than 3%.
	Low Temperature Alarm: This low temperature symbol will be displayed if the power station is attempted to be used outside the allowable operating temperature.
	High Temperature Alarm: This high temperature symbol will be displayed if the power station is attempted to be used outside the allowable operating temperature.

SPECIFICATIONS

Output		
AC output	Rated voltage	110V
	Rated power	400W
	Peak power	800W
	Frequency	60Hz
DC12V Output Cigarette Lighter	Rated voltage	13.3V
	Rated current	10A
DC12V Output (5525)	Rated voltage	13.3V
	Rated current	10A
USB-A Output	Rated voltage	5V
	Rated current	2.4A
USB-C Output/Input	PD: 100W Max	5V3A, 9V3A ,12V3A ,15V3A , 20V5A
Floodlight	LUX	200/800/1400
Input		
DC Input voltage		12-24 V
DC Input power		Max 120W
Battery		
Rated capacity		Contains a 403.2 Wh internal battery
Battery cell type		Lithium-ion
General		
Working environment condition	Relative humidity: 20%-90%	
	Temperature: 32- 104°F (0-40°C)	
Size		9.2 x 7.7 x 7.5 inches
Net weight		10.5 lbs

COMPLIANCE WITH FCC REGULATION

This device complies with part 15 of the FCC Rules. Operation is subject to the following two conditions: (1) This device may not cause harmful interference, and (2) this device must accept any interference received, including interference that may cause undesired operation.

NOTE: This equipment has been tested and found to comply with the limits for a Class B digital device, pursuant to part 15 of the FCC Rules. These limits are designed to provide reasonable protection against harmful interference in a residential installation. This equipment generates, uses, and can radiate radio frequency energy and, if not installed and used in accordance with the instructions, may cause harmful interference to radio communications. However, there is no guarantee that interference will not occur in a particular installation.

If this equipment does cause harmful interference to radio or television reception, which can be determined by turning the equipment off and on, the user is encouraged to try to correct the interference by one or more of the following measures:

- Reorient or relocate the receiving antenna.
- Increase the separation between the equipment and receiver.
- Connect the equipment into an outlet on a circuit different from that to which the receiver is connected.
- Consult the dealer or an experienced radio/TV technician for help.

CAUTION: To comply with the limits of the Class B digital device, pursuant to Part 15 of the FCC Rules, this device must be used with certified peripherals and shielded cables. All peripherals must be shielded and grounded. Operation with non-certified peripherals or non-shielded cables may result in interference to radio or reception.

LIMITED WARRANTY

HALO warrants its products to be free from defects in material and workmanship under normal use.

For all questions or exchange requests, please call 888-907-6274, contact us at zagg.com/support or visit www.zagg.com/warranty-policies.

This Limited Warranty sets forth the full scope of HALO's obligations and liabilities with respect to the product. All implied warranties, including without limitation the implied warranties of merchantability and fitness for a particular purpose, are limited to the duration of this Limited Warranty. In no event shall HALO be liable for any incidental, special, consequential or punitive damages or any damages or losses of or to electronic equipment or products that are used with any of HALO's products.



FOR TECHNICAL SUPPORT PLEASE
CONTACT US AT:

ZAGG.COM/SUPPORT
OR
CALL US AT: **888-907-6274**

HALO
910 W LEGACY CENTER WAY
STE. 500, MIDVALE, UTAH 84047

WWW.ZAGG.COM/HALO

© 2020 ZAGG Inc | www.ZAGG.com/HALO
The HALO and H trademarks are the property of ZAGG Inc.
USB-C is a trademark of USB Implementers Forum.
All rights reserved.
314-00918-A

ZAGG Inc | 910 W Legacy Center Way,
Ste. 500, Midvale, Utah 84047
Made in China.

