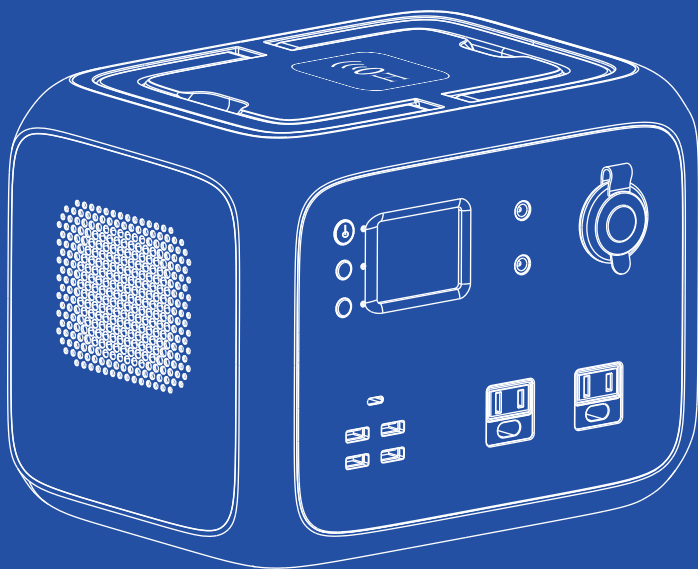


HALO<sup>®</sup>  
PORTABLE  
POWER STATION



OPERATING INSTRUCTIONS  
PLEASE READ BEFORE OPERATING THIS EQUIPMENT

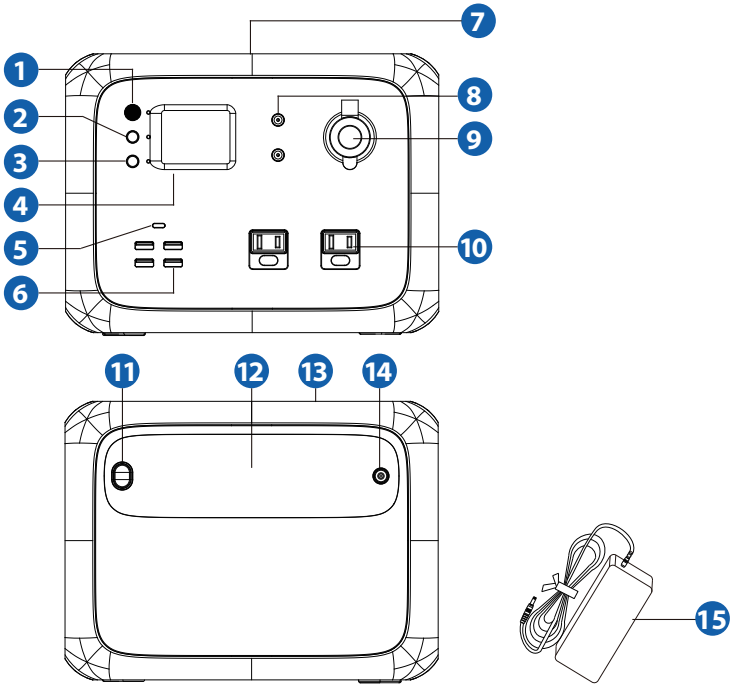


## **TABLE OF CONTENTS**

|                                  |       |
|----------------------------------|-------|
| Included Items                   | 3     |
| Operating Instructions           | 4-7   |
| Troubleshooting Guide            | 8-9   |
| Specifications                   | 10    |
| Safety Precaution                | 11-13 |
| Warranty and Contact Information | 14-15 |

## INCLUDED ITEMS

- HALO PORTABLE POWER STATION
- AC Wall Charging Adapter



## LOCATION OF CONTROLS

- |                             |                              |
|-----------------------------|------------------------------|
| 1. Power ON/OFF Button      | 10. 120V AC Output Ports     |
| 2. DC ON/OFF Button         | 11. Floodlight ON/OFF Button |
| 3. AC ON/OFF Button         | 12. Floodlight               |
| 4. LCD Screen               | 13. Collapsible Handles      |
| 5. Type-C PD Output Port    | 14. DC Input                 |
| 6. USB Output Ports         | 15. AC Wall Charging Adapter |
| 7. Wireless Charging Pad    |                              |
| 8. 12V DC 5521 Output Ports |                              |
| 9. 12V DC Power Socket      |                              |

## OPERATING INSTRUCTIONS

Please make sure to fully charge the HALO PORTABLE POWER STATION before first use.

## CHARGING THE HALO PORTABLE POWER STATION

### Using the AC Wall Charging Adapter:

Use the provided AC Wall Charging Adapter, and plug the AC adapter tip into the DC charge input. Next, connect the AC Wall Charging Adapter into a wall outlet. The HALO PORTABLE POWER STATION will automatically begin charging. When the HALO PORTABLE POWER STATION is fully charged, all five battery indicator lights will be solid blue and the LCD digital display will indicate 100%. When fully charged, disconnect the cable.

### NOTE:

- While charging the LCD display will enter into standby mode. The LCD display can be reactivated by pressing any button.
- The HALO PORTABLE POWER STATION can also be charged via solar panel (not included) and car charger (not included).
- The HALO PORTABLE POWER STATION can be charged and discharged simultaneously.

## BUTTON OPERATIONS

### Power ON/OFF Button:

To turn ON, press and hold the Power ON/OFF Button for 2 seconds. The LCD Screen will light up. To turn OFF the HALO PORTABLE POWER STATION, press and hold for 2 seconds.

### DC ON/OFF Button:

To turn ON, press and hold DC ON/OFF Button for 2 seconds. The DC Indicator will light up and the LCD Screen will display "DC ON". To turn OFF, press and hold for 2 seconds. The LCD Screen will display "DC OFF".

### **AC ON/OFF Button:**

To turn ON, press and hold the AC ON/OFF Button for 2 seconds. The AC Indicator will light up and the LCD Screen will display "AC ON". To turn OFF, press and hold the AC ON/OFF Button for 2 seconds. The LCD Screen will display "AC OFF".

### **NOTE:**

To save battery, turn off the unit when not in use.

## **CONNECTING YOUR ELECTRONIC DEVICES, EQUIPMENT AND APPLIANCES**

The HALO PORTABLE POWER STATION is compatible with AC and DC electronic devices, equipment and appliances where portable, stationary, or emergency power is required.



**HOME**



**WORK**



**EMERGENCY**



**SCHOOL**



**TRAVEL**



**CAMPING**



**BUSINESS**



**OUTDOORS**

There are several ways to power and charge electronic devices with the HALO PORTABLE POWER STATION. Both AC and DC Output Ports can be used simultaneously.

### **Using the 120V AC Output Ports:**

The HALO PORTABLE POWER STATION can be used to power your 120V AC electronic devices, equipment and appliances rated for 300Watts or less. To begin, connect the AC power plug from your device/equipment/appliance into the AC Output Port of the HALO PORTABLE POWER STATION. Press and hold the AC ON/OFF Button for 2 seconds.

### **NOTE:**

- Make sure the AC Power Plug is fully plugged into the AC Output Port.
- The HALO PORTABLE POWER STATION will provide up to 450Watts peak power for a short duration.

### **Using the USB Ports:**

The HALO PORTABLE POWER STATION is compatible with the USB charging cable provided with your electronic device. To begin, press and hold the DC ON/OFF Button for 2 seconds. Plug the standard USB end of the cable into any of the 5V/3A USB Output Ports. Connect the tip into the input of your electronic device to begin charging. For PD (Power Delivery) Output, use a Type-C USB to Type-C cable (not included) to charge your compatible electronic devices.

### **HALO USB Smart Charge Technology**

Your HALO PORTABLE POWER STATION contains the HALO USB SMART CHARGE TECHNOLOGY to achieve higher compatibility for charging USB electronic devices. The HALO USB SMART CHARGE TECHNOLOGY will allow the HALO PORTABLE POWER STATION to communicate with your electronic device and provide the fastest and safest charge for that device.

### **Using the Wireless Charging Pad:**

To begin, press and hold the DC ON/OFF Button for 2 seconds. Place your wireless compatible device on top of the HALO PORTABLE POWER STATION to begin charging.

#### **NOTE:**

- Check your smart phone to confirm it is charging. If it is not charging, adjust the position of the phone on top of the HALO PORTABLE POWER STATION.
- Ensure there is no metal obstruction on the back of the phone or phone case, or credit cards inside the phone case while wirelessly charging.

### **Using the 12V DC Power Socket and 5521 Output Ports**

The HALO PORTABLE POWER STATION can be used to power your 12V DC electronic devices, equipment and appliances. To begin, press and hold the DC ON/OFF Button for 2 seconds. Connect your 12V compatible device/equipment/appliance into the Power Socket or 5521 Output Port(s).

## **USING YOUR HALO PORTABLE POWER STATION FLOODLIGHT**

To begin, turn on the main power by pressing and holding the POWER ON/OFF Button for 2 seconds.

Press the Floodlight ON/OFF Button **once** to turn ON.

Press the Floodlight ON/OFF Button **twice** to turn 50% brightness.

Press the Floodlight ON/OFF Button **three times** to turn SOS function.

Press the Floodlight ON/OFF Button **four times** to turn OFF.



## **TROUBLESHOOTING**

If the HALO PORTABLE POWER STATION can not charge or power devices, please check the following steps:

- Make sure the Power ON/OFF Button is ON.
- Make sure the AC and DC Power Buttons are ON and confirm the LED on the right of the buttons are green.
- Check the battery capacity. If it is lower than 10%, please recharge the HALO PORTABLE POWER STATION.
- Make sure the load power connected does not exceed the rated power of the port.
- If an error code is observed, refer to the Error Code Chart on the next page.

| Error Code | Cause                             | Protection Condition                 | Recovery condition                     |
|------------|-----------------------------------|--------------------------------------|----------------------------------------|
| E01        | Over Temperature Protection       | Heat sink Temp $\geq$ 75°C           | Auto Recover when the temp $\leq$ 70°C |
| E02        | Low temperature protection        | <-8°C                                | > -2°C ,self-recovery                  |
| E04        | Battery Over temperature          | >68°C                                | <58°C ,self-recovery                   |
| E05        | Battery low temperature           | <-8°C                                | >-2°C ,self-recovery                   |
| E06        | Battery charge over temperature   | >48°C                                | <38°C ,self-recovery                   |
| E07        | Battery charge low temperature    | <0°C                                 | >5°C ,self-recovery                    |
| E09        | Total voltage too low             | <9.6V                                | >10.5°C recover charging.              |
| E18        | PV input over voltage             | >45V                                 | <40V self-recovery                     |
| E25        | DC 12V output over voltage        | Battery voltage >13V                 | Recover by pressing button             |
| E26        | DC12V-1output over loaded         | Load power >140W                     | Recover by pressing button             |
| E27        | DC12V-1 output over current       | output current >11A or short-circuit | Recover by pressing button             |
| E28        | DC12V-1 input over current        | Current >-1A                         | Recover by pressing button             |
| E29        | DC12V-2 output over loaded        | Load power >75W                      | Recover by pressing button             |
| E30        | DC12V-2 output over current       | Output current > 6A or short-circuit | Recover by pressing button             |
| E31        | DC12V-2 input over current        | Current >-1A                         | Recover by pressing button             |
| E34        | System overloaded, DC output stop | Total power>420W at 3mins            | Recover by pressing button             |
| E36        | Inverter output overloaded        | Power>300W at 2mins or power >450W   | Recover by pressing button             |
| E37        | Inverter output overcurrent       | AC output short-circuit              | Recover by pressing button             |
| E38        | System overloaded, AC output stop | Total power>420W at 3mins            | Recover by pressing button             |

# SPECIFICATIONS

| <b>Output</b>                        |                     |                                       |
|--------------------------------------|---------------------|---------------------------------------|
| AC output                            | Rated voltage       | 100-120Vac                            |
|                                      | Rated power         | 300 W                                 |
|                                      | Peak power          | 450W                                  |
|                                      | Overload capability | 300W≤load<450W@120S;<br>450W≤load@1s; |
|                                      | Frequency           | 60Hz                                  |
| DC12V Output<br>Cigarette<br>Lighter | Rated voltage       | 12Vdc(12-14V Workable)                |
|                                      | Rated current       | 10A                                   |
| DC12V Output<br>(5521)               | Rated voltage       | 9.6-12.6Vdc                           |
|                                      | Rated current       | 3A                                    |
| USB Output                           | Rated voltage       | 5V                                    |
|                                      | Rated current       | 3A                                    |
| Type-C Output                        | PD: Rated Output    | 5V3A, 9V3A ,12V3A ,15V3A , 20V2.25A   |
| Wireless<br>Charge                   | Output power        | 5W/7.5W/10W                           |
| Floodlight                           | Lumens              | 500 lm                                |
| <b>Input</b>                         |                     |                                       |
|                                      | Input voltage       | 12-40 Vdc                             |
|                                      | Input power         | 120W MAX                              |
| <b>Battery</b>                       |                     |                                       |
|                                      | Rated capacity      | 388.5 Wh                              |
|                                      | Rated voltage       | 11.1 Vdc                              |
|                                      | Battery cell type   | Li-ion                                |
|                                      | Voltage range       | 9.6-12.6Vdc                           |
| <b>General</b>                       |                     |                                       |
|                                      | Protection level    | IP21                                  |
| Working environment condition        |                     | Relative humidity: 10%-90%            |
|                                      |                     | Temperature: 32- 104°F (0-40°C)       |
|                                      | Size                | 10.2 x 7.5 x 7.7 inches               |
|                                      | Net weight          | 13.67 lbs                             |

## SAFETY PRECAUTIONS

- Read all instructions before using the product.
- Do not get your HALO PORTABLE POWER STATION wet or store in extreme temperature conditions.
- Do not disassemble or attempt to repair your HALO PORTABLE POWER STATION yourself.
- Use a cloth to clean the exterior of your HALO PORTABLE POWER STATION. Do not use liquid detergent or chemicals of any kind.
- When used correctly, lithium-ion rechargeable batteries provide a safe and dependable source of portable power. However, if they are misused or abused, this may result in leakage, burns, fire or explosion, causing personal injury or damage to other devices.
- Misusing or incorrectly connecting your HALO PORTABLE POWER STATION may cause electric shock to users and damage equipment.
- Keep your HALO PORTABLE POWER STATION dry and away from moisture and corrosive materials. The HALO PORTABLE POWER STATION should not be used near water or wet areas such as bathtubs, showers, bathrooms, sinks, swimming pools or basements.
- Do not expose your HALO PORTABLE POWER STATION to moisture, water, rain, or snow.
- Keep your HALO PORTABLE POWER STATION away from heat sources, including open flames, radiators, stoves, ovens, and any other devices that produce heat.
- The lithium-ion rechargeable battery used in this charging device may present a risk of fire or chemical burn if mistreated. Do not expose to fire or excessive temperature. Do not expose to heat above 212°F (100°C) or incinerate.
- In the unlikely event of leakage or explosion use sand or a chemical fire extinguisher.
- Your HALO PORTABLE POWER STATION may become warm under extended high power operation. Do not cover, wrap, or otherwise restrict the HALO PORTABLE POWER STATION during operation.
- Do not disassemble your HALO PORTABLE POWER STATION. There are

no user-serviceable parts inside. Incorrect reassembly may result in shock or fire hazard.

- Do not drop or subject to strong impacts. Do not operate your HALO PORTABLE POWER STATION if it has received a sharp blow, or has otherwise been damaged in any way.
- Do not puncture, crush or subject to mechanical shock.
- Only charge your HALO PORTABLE POWER STATION by the specified method with the specified charging adapter provided with the unit.
- Do not use any non-HALO-branded accessories with the HALO PORTABLE POWER STATION. Doing so may cause electric shock to users and damage equipment.
- The HALO PORTABLE POWER STATION, along with its accessories, are not toys and should be kept away from children.
- Do not insert any foreign object into the ports or openings of your HALO PORTABLE POWER STATION.
- Do not clean your HALO PORTABLE POWER STATION with harsh chemicals, soaps or detergents. Just wipe the case with a soft cloth.
- Do not modify or attempt to repair the HALO PORTABLE POWER STATION except as indicated in the instructions for use and care.
- Make sure the HALO PORTABLE POWER STATION's charging ports do not become contaminated with lint or other debris. Use a canned-air type of product periodically to ensure that the port openings are clear.
- Batteries should be recycled or disposed of as per state and local guidelines.
- The device shall be stored indoors and protected from the elements;
- The unit shall not be charged outdoors.
- When in use, steps should be taken to reduce the exposure to rain, sleet, snow, and the like.
- For appliance and battery storage, do not exceed 104°F (40°C)
- Under abusive conditions, liquid may be ejected from the battery; avoid contact. If contact accidentally occurs, flush with water. If liquid contacts eyes, additionally seek medical help. Liquid ejected from the battery may cause irritation or burns.

SAVE THESE INSTRUCTIONS

## **FCC RADIATION EXPOSURE STATEMENT**

This equipment complies with FCC radiation exposure limits set forth for an uncontrolled environment. This equipment should be installed and operated with minimum distance 20 cm between the radiator and your body. Any changes or modification not expressly approved by the party responsible for compliance could void the user's authority to operate the equipment.

## **COMPLIANCE WITH FCC REGULATION**

This device complies with part 15 of the FCC Rules. Operation is subject to the following two conditions: (1) This device may not cause harmful interference, and (2) this device must accept any interference received, including interference that may cause undesired operation.

NOTE: This equipment has been tested and found to comply with the limits for a Class B digital device, pursuant to part 15 of the FCC Rules. These limits are designed to provide reasonable protection against harmful interference in a residential installation. This equipment generates, uses, and can radiate radio frequency energy and, if not installed and used in accordance with the instructions, may cause harmful interference to radio communications. However, there is no guarantee that interference will not occur in a particular installation.

If this equipment does cause harmful interference to radio or television reception, which can be determined by turning the equipment off and on, the user is encouraged to try to correct the interference by one or more of the following measures:

- Reorient or relocate the receiving antenna.
- Increase the separation between the equipment and receiver.
- Connect the equipment into an outlet on a circuit different from that to which the receiver is connected.
- Consult the dealer or an experienced radio/TV technician for help.

**CAUTION:** To comply with the limits of the Class B digital device,

pursuant to Part 15 of the FCC Rules, this device must be used with certified peripherals and shielded cables. All peripherals must be shielded and grounded. Operation with non-certified peripherals or non-shielded cables may result in interference to radio or reception.

## **LIMITED WARRANTY**

HALO warrants its products to be free from defects in material and workmanship under normal use. Conditions are as follows:

- During the first 90 days from date of purchase, HALO will repair or replace the defective product.
- HALO will, subject to inspection, repair the defective product or replace it with a new or reconditioned unit. The return must be accompanied by a Return Merchandise Authorization (RMA) number to be issued upon request, and must be shipped prepaid.
- Where applicable, all requests for warranty returns must be accompanied by a proof of purchase.
- The warranty does not extend to the electronic equipment that is used, or incorporates with any of our products and accessories. HALO shall not be held responsible for the improper use of its products.
- In no event shall HALO be liable for any incidental, special, consequential or punitive damages arising out of the use of HALO's products.

For all questions or exchange requests, please call 888-907-6274, contact us at [zagg.com/support](http://zagg.com/support) or visit [www.zagg.com/warranty-policies](http://www.zagg.com/warranty-policies).

This Limited Warranty sets forth the full scope of HALO's obligations and liabilities with respect to the product. All implied warranties, including without limitation the implied warranties of merchantability and fitness for a particular purpose, are limited to the duration of this Limited Warranty. In no event shall HALO be liable for any incidental, special, consequential or punitive damages or any damages or losses of or to electronic equipment or products that are used with any of HALO's products.



FOR TECHNICAL SUPPORT PLEASE  
CONTACT US AT:

**ZAGG.COM/SUPPORT**  
OR  
CALL US AT: **888-907-6274**

**HALO**  
**6 CENTRAL ROW**  
**HARTFORD, CT 06103**

**WWW.ZAGG.COM/HALO**

© 2020 ZAGG Inc | [www.ZAGG.com/HALO](http://www.ZAGG.com/HALO)  
The HALO and H trademarks are the property of ZAGG Inc.  
All rights reserved.

ZAGG Inc | 910 W Legacy Center Way, Ste. 500, Midvale, Utah 84047  
Made in China.

